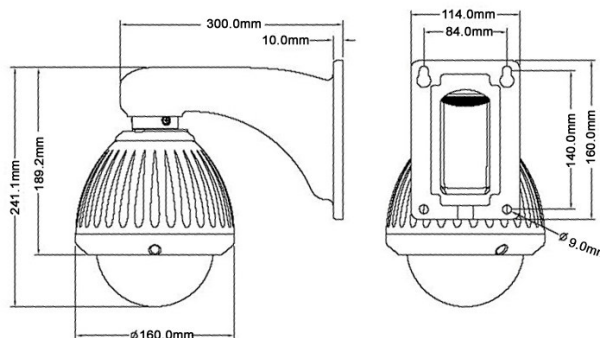




Features

- Variable Speed Pan and Tilt
- 64 Preset Locations, 1 Patrol Sequence
- IP66 Standard
- Auto Pan
- RS-485 Telemetry Interface
- Protocol Support: TeleEye and Pelco-d



Specifications

MODEL	DM368P	DM368N
	VIDEO	
PICK UP DEVICE	1/3" interline transfer CCD	
PICTURE ELEMENTS	500 (H) x 582 (V)	512 (H) x 492 (V)
SENSING AREA	4.9mm x 3.7mm	
HORIZONTAL RESOLUTION	350TV lines	
LENS & VIEW ANGLE	F1.2 (f=8mm, viewing angle (H)= approx. 33°C)	
MIN. ILLUMINATION	0.5 Lux	
WHITE BALANCE	Automatic	
ELECTRONIC SHUTTER	1/50 (1/60) to 1/100,000 sec	
S/N RATIO	More than 48dB	
	TELEMETRY CONTROL	
PAN	0° – 355°, Speed range: 5° – 45° / sec	
TILT	0° – 90° , Speed range: 5° – 45° / sec	
NO. OF PRESETS	64	
NO. OF PATROL SEQUENCES	1	
DATA RATE	2400, 4800, 9600bps	
DATA INTERFACE	RS-485	
PROTOCOL	TeleEye, Pelco-d	
	POWER & ENVIRONMENT	
VOLTAGE	24V AC, 1.25A	
WEATHER PROOF STANDARD	IP66	
OPERATING TEMPERATURE	0°C – 40°C	
	MECHANICAL DESIGN	
NET WEIGHT	3.4kg	



TeleEye Group
Hong Kong (Head Office)

Signal Communications Limited

16/F, Millennium City 3, 370 Kwun Tong Road, Kowloon, Hong Kong
 International: (852) 2995 5996 Hong Kong: (852) 2995 5992
 Fax: (852) 2995 5901 Email: info@TeleEye.com

China

Japan
Singapore
U.K.

Tel: (86) 755 2671 2122 Email: info@TeleEye.com.cn
 Tel: (81) 42 742 2690 Email: info@CAMERIO.com.jp
 Tel: (65) 6745 3921 Email: sales@TeleEye.com.sg
 Tel: (44) 118 953 3707 Email: ukinfo@TeleEye.com