



SF388
Indoor Day/Night IR Camera

- True "DAY/NIGHT" Integrated Camera
- Built-in Aspherical Varifocal IR lens
- No focus shift at night
- Auto-switching IR-cut Filter
- No colour distortion in daytime



SF389
Outdoor Day/Night IR Camera



Conventional IR camera without IR-cut filter distorts the image color



TeleEye SF388 / SF389 with IR-cut filter produces accurate image color

Auto-switching IR-cut filter

TeleEye SF388 / SF389 is equipped with an automatic switching IR-cut filter, which produces accurate color image under natural light and provides high quality monochrome images in low light or no light conditions. During the daytime, the IR-cut filter inside the TeleEye SF388 / SF389 removes IR component in the natural environment showing clear color definition. Under no light condition, the SF388 / SF389 would remove its IR-cut filter and turn on its IR LEDs to deliver black and white image under IR illumination.



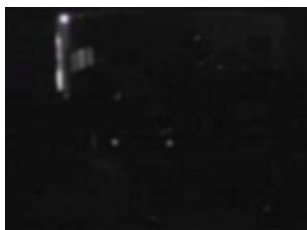
Conventional IR camera with ordinary lens shifts the image focus under IR illumination



TeleEye SF388 / SF389 with IR lens keeps the image focus under both visual and IR illumination

Varifocal IR Lens and High Resolution CCD

TeleEye SF388 / SF389 is equipped with $f=3.8-9.5\text{mm}$ auto-iris IR lens. Since the wavelength of IR light is significantly longer than that of visible light, the focus of ordinary lens will be shifted when switching from visible to IR illumination or vice versa, making the image blur at night time. The IR lens equipped in the TeleEye SF388 / SF389 can compensate the focusing problem to produce sharp images under both visible and IR illuminations environment. With its built-in varifocal IR lens, this unique camera provides viewing angles ranging from 28° - 64° while displaying images without distortion.



Conventional low light camera without IR illumination



TeleEye SF388 / SF389 with IR illumination and viewing range of 15 meters

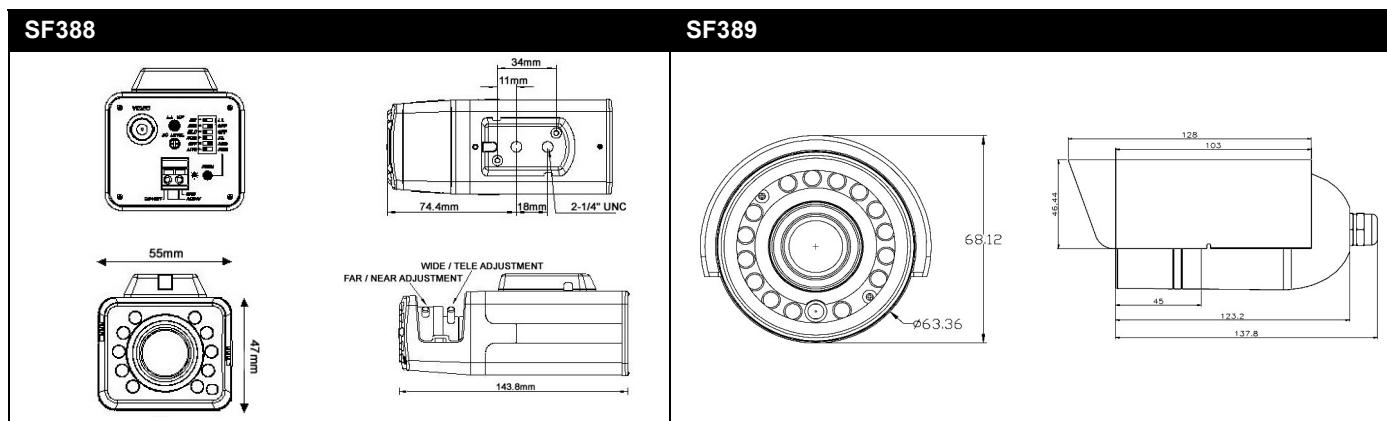
IR Illumination

Embedded with IR LEDs, TeleEye SF388 / SF389 does not rely on any external light source even in complete darkness. The IR LEDs will turn on automatically under low illumination circumstances and its effective viewing range is up to a distance of 15 meters.

Applications

- Round the clock video surveillance & recording
- Public utilities surveillance
- Unmanned site surveillance
- Factory/Retail shop monitoring

MODEL	SF388 Indoor Day / Night IR Camera	SF389 Outdoor Day / Night IR Camera
		
Pick Up Device	1/3" interline transfer CCD	1/3" interline transfer CCD
Horizontal Resolution	480TV lines	480TV lines
Auto Iris Lens	DC	DC
Lens	Aspherical IR lens: 3.8mm ~ 9.5mm	Aspherical IR lens: 3.8mm ~ 9.5mm
View Angle (Horizontal)	28°~ 64°	28°~ 64°
IR LED / Effective Range	10 infrared LEDs / ~15m (Auto-switching IR filter)	15 infrared LEDs / ~15m (Auto-switching IR filter)
Min. Illumination	0.13 Lux / F1.3 (IR OFF) 1.0 Lux (IR ON & IR filter removed)	0.13 Lux / F1.3 (IR OFF) 0.0 Lux (IR ON & IR filter removed)
Weather Proof Standard	-	IP 67
Electronic Shutter	1/50 (1/60) sec	1/50 (1/60) sec
Electronic Shutter Control	On / Off switchable	On / Off switchable
Back Light Compensation	On / Off switchable	On / Off switchable
S/N Ratio	More than 48dB (AGC off)	More than 48dB (AGC off)
White Balance	Auto / Push selectable	Auto / Push selectable
Video Output	1.0 Vp-p, 75Ω	1.0 Vp-p, 75Ω
Auto Gain Control	Yes	Yes
Power Source	DC 12V / 130mA (IR OFF) 400mA (IR ON)	DC12V / 200mA (IR OFF) 500mA (IR ON)
Operating Temperature	-10°C ~ +50°C	-10°C ~ +50°C
Humidity	< 85%	-
Net Weight (g)	380	500



TeleEye Group
Hong Kong (Head Office)

Signal Communications Limited

16/F, Millennium City 3, 370 Kwun Tong Road, Kowloon, Hong Kong
 International: (852) 2995 5996 Hong Kong: (852) 2995 5992
 Fax: (852) 2995 5901 Email: info@TeleEye.com

China
Japan
Singapore
U.K.

Tel: (86) 755 2671 2122 Email: info@TeleEye.com.cn
 Tel: (81) 42 742 2690 Email: info@CAMERIO.co.jp
 Tel: (65) 6745 3921 Email: sales@TeleEye.com.sg
 Tel: (44) 118 953 3707 Email: ukinfo@TeleEye.com